

EXTRA  
COMFORT

OPTIONAL  
REMOTE  
CONTROL



MAX. 1,10 m



ELECTRIC  
BIKE LIFT

# Experience ultimate mobility and freedom with the **electric Bike Lift**

The patented 'Bike Lift' is the smartest and most innovative bike carrier on the market. Ideal for taking your bikes with you when traveling with your motorhome!



SCAN FOR VIDEO



## REACHES THE GROUND

The Bike Lift's platform bridges a height of 110 cm. The bikes can be lowered to ground level on most vehicles. The platform descends straight down without putting pressure on the rear wall.



## SAY GOODBYE TO BACK PAIN

No more lifting heavy bikes! The integrated 12V motor with switch or optional remote control does the work for you.



## 2 E-BIKES

Easily carry 2 e-bikes or 3 standard bicycles with the Bike Lift.



## MAXIMUM LOAD CAPACITY

The bike carrier has a maximum load capacity of 60 kg, equivalent to 3 standard bicycles or 2 e-bikes.



Open the bike rack.



Lower the platform and roll your bike onto it.



The 12V motor effortlessly raises the platform.



Secure the bike and enjoy your trip!

Additional comfort with the optional remote control.



## ADJUSTABLE END POSITIONS FOR THE 12V MOTOR

Easily adjust the height of your Bike Lift to your vehicle or mounting. You can set the platform's loading height yourself.



# 1



# 2

## BEFORE AND AFTER

You can easily replace an existing bike carrier with the Bike Lift, often retaining the existing attachment points or mounting rails.

# 3



## MANUAL OPERATION

The Bike Lift remains fully operational in case of a power failure, thanks to the standard included crank.

# 4



## DOUBLE SAFETY DURING TRAVEL

The Bike Lift is equipped with a power interrupter and a manual locking pin.

# 5



## ADJUSTABLE WHEEL HOLDERS

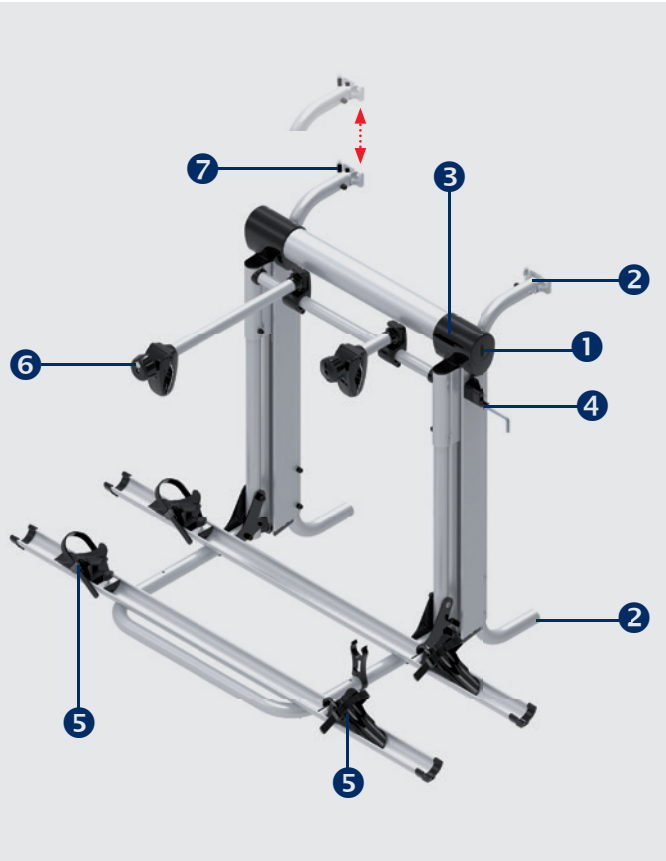
Easily adjust the position of the sliding wheel holders and secure the bikes with user-friendly wheel straps.



# 6

## ADAPTABLE BIKE HOLDER

The bike holders can be quickly adjusted from left to right and from top to bottom. They are also lockable (available optionally).



## HIGHER MOUNTING ON VEHICLE WALL POSSIBLE

For certain vehicles, the bike carrier is mounted extra high due to a storage hatch or high bumper. The adjustable platform provides the ideal solution.



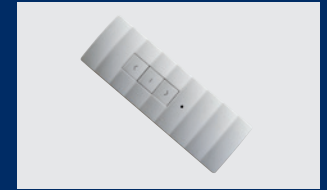
# 7

## Accessories

BR-Systems has designed a variety of practical accessories to maximize the functionality of your Bike Lift.

### MORE COMFORT

Remote control  
Art. BKL-ACC-RMC



### ENHANCED SAFETY

Additional key lock  
for bike holders  
Art. BKL-ACC-KEY



### ADDITIONAL BIKE

Kit for 3rd bike  
Art. BKL-ACC-KIT  
*Not suitable for the  
Off-Road Black Edition*



### EXTRA-WIDE BIKE RAILS

8.7 cm wide (suitable for most tires), includes strap with ratchet system and mounting bracket.  
Art. BKL-ACC-ORR-GR



### MOUNTING RAILS

Art. Grey  
BRS-ACC-MOR-GR  
Art. Black  
BRS-ACC-MOR-BL



## Bike Lift Standard

Art. BKL-STD



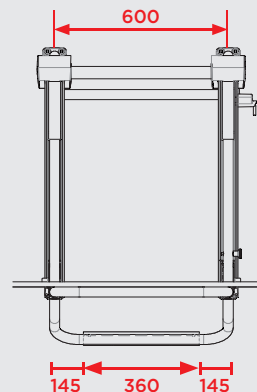
## Bike Lift Short

Art. BKL-SHO

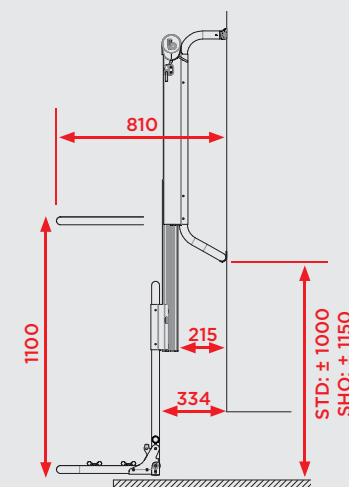


## Dimensions

Front



Side



## Bike Lift Standard Rail

Art. BKL-STD-RAIL



For vehicles with pre-mounted installation rails (rails sold separately).



## Bike Lift Short Rail

Art. BKL-SHO-RAIL



For vehicles with pre-mounted installation rails (rails sold separately).



## Bike Lift Off Road Black Edition

Art. BKL-STD-ORB

**NEW**



New black edition equipped with extra-wide and long bike rails, specially designed for bicycles with large tires.



(rails sold separately)

**BR-SYSTEMS**  
BIKE LIFT SOLUTIONS

**Prostor bv**

Evolis 90

8500 Kortrijk

Belgium

info@br-systems.com

www.br-systems.com

*Our authorized dealers  
can be found on our website.  
They are happy to assist you  
with tailored advice.*

Prostor bv will not be held responsible  
for any printing or colour errors.  
Content is subject to modifications  
(technical and prices).